

PVC3000™ VALVE

The PVC3000 Valve offers complete central hydraulic control.

One complete central hydraulic system customized for your salt spreading and/or hydraulic plow control needs.

Design your “Dickey-john quality” system by using the PVC3000 with your:

Control Point/ICS2000/LT - for material spreader control

OR

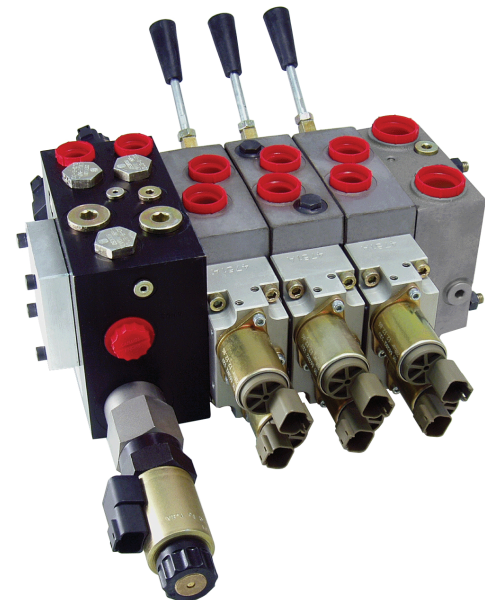
Multi Function Joystick/ - for plow and hoist control.
Control King Joystick

Benefits and features include:

- Base manifold for material application control (spreader/spinner/prewet).
- Add on individual hydraulic sections for plow and hoist control
- Each hydraulic section is dual control (plow up/down)
- Hydraulic flows of 20 gallons per minute auger, 8 gallons per minute spinner and 8 gallons per minute liquid
- Hydraulic flow ranges for each section available for 1 – 32 gallons per minute
- Optional auger reversing valve
- Manual override standard for each valve section
- Optional pressure shock relief for each high pressure work part 460 – 5075 psi.
- Compatible with load sense and fixed displacement hydraulic systems
- Proportional operation
- Deutsch electrical connections for environmental seal
- All SAE hydraulic connections are conveniently located on the top side

Backed by the Power of DICKEY-john

When you buy a PVC3000 you get all the dependability and value you expect from DICKEY-john products. DICKEY-john’s advanced technology and superior electronics are backed by a team of expert, in-house mechanical, electrical, software, and test engineers. DICKEY-john is an ISO 9000:2000 certified facility.



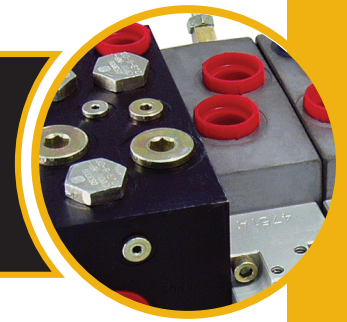
DICKEY-john®
CORPORATION

Revolutionizing Electronics

5200 Dickey-john Road
Auburn, IL 62615
www.dickey-john.com
217-438-3371
217-438-6012 fax

©2007 DICKEY-john Corporation

PVC3000™ VALVE



HOIST SAE

SAE 10 O-ring Boss ports
 Valve section capacity 32 gallons per minute
 with proportional coil
 Proportional operation (Up/Down/Left/Right)

FRONT FLOW

SAE 10 O-ring Boss ports
 10 gallons per minute capacity (spool limited) valve
 section capacity 32 gallons per minute
 Spool limiters standard for precise flow limitation
 Section with proportional coil
 Proportional operation (Up/Down/Left/Right)
 Automatic safety retraction

SIDE WING

SAE 10 O-ring Boss ports
 17 gallons per minute capacity (spool limited) valve
 section capacity 32 gallons per minute
 Spool limiters standard for precise flow limitation
 Section with proportional coil
 Proportional operation (Up/Down/Left/Right)

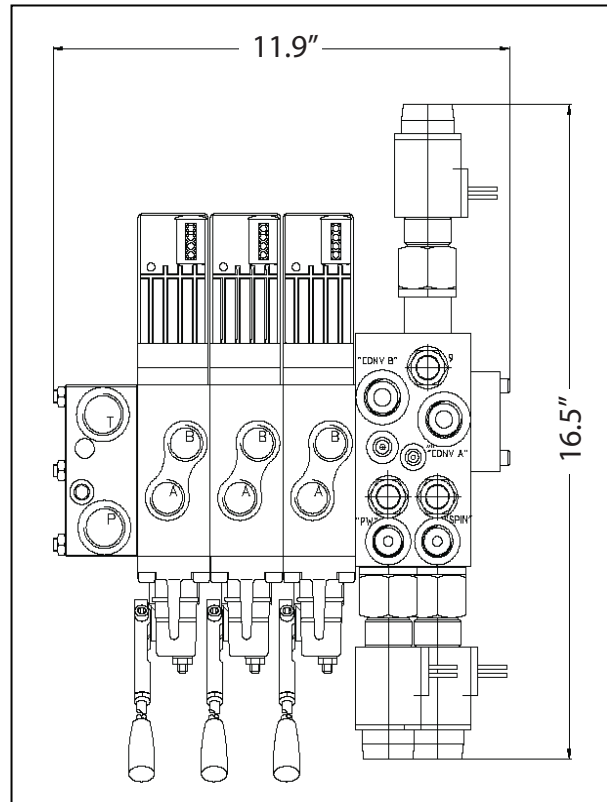
UNDER BODY SCRAPER

SAE 10 O-ring Boss ports
 17 gallons per minute capacity (spool limited) valve
 section capacity 32 gallons per minute
 Spool limiters standard for precise flow limitation
 Section with proportional coil

PULSE WIDTH MODULATED ELECTRICAL ACTUATION

Technical Data:

Control Signal	0-750 mA (24V) 0-1500 mA (12V)
Response time	150-200 ms
Ambient temperature	-30 to +80 degrees C
Pilot pressure	25 bar (PVH)
No spool position feedback control	
2A, 100-400 Hz pulse width modulated control signals	
Deutsch connectors	
12V or 24V - proportional coils	



PVC3000 - CONVEYOR

SAE 10 O-ring Boss port
 Up to 20 gallons per minute
 Pressure compensated
 Optional reversible conveyor
 Proportional operation

PVC3000 - SPINNER

SAE 8 O-ring Boss port
 Up to 8 gallons per minute
 Pressure compensated
 Proportional operation

PVC3000 - PRE-WET

SAE 8 O-ring Boss port
 Up to 6 gallons per minute
 Pressure compensated
 Proportional operation