

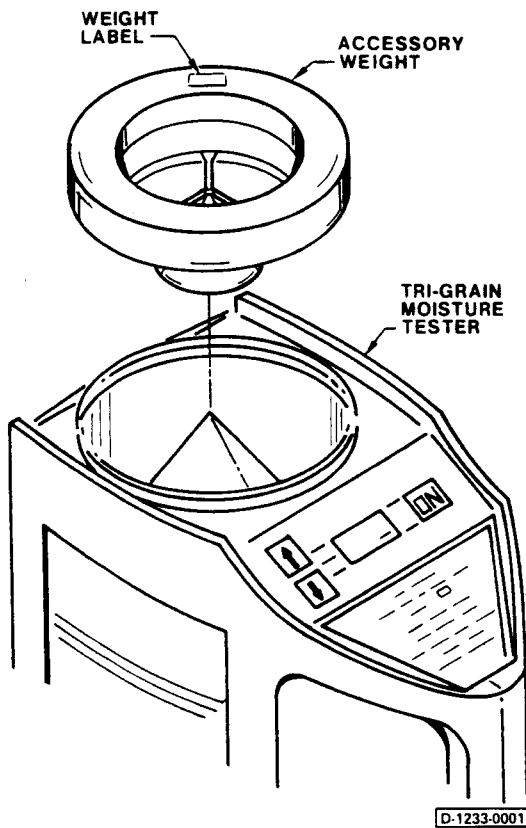


## INSTALLATION INSTRUCTIONS

### USE OF Dj TRI-GRAIN ACCESSORY WEIGHT

Step 1. Make certain the weight (50 or 100 grams) being used is as specified on the grain chart. The weight is labeled.

Step 3. Refer to your Tri-Grain Owner's Manual for the operating procedure on measuring grain moisture using the Chart Mode. Pour grain through accessory weight into Test Cell as shown.



Step 2. Refer to the above illustration and place the accessory weight on the cone as shown. **NOTE:** Tester should be on level surface.

